

# MAXTRAP50 VACUUM COLD TRAP



Cold traps are a best practice tool for preserving/ extending vacuum pump life or the time between vacuum pump maintenance.

**Cascade's MAXTRAP50 is not an ordinary cold trap.** Cascade has taken our extensive knowledge of vacuum best practices and integrated the features necessary for our customers with time-sensitive, high-throughput, production-focused vacuum purging or drying applications.

## MAXTRAP50 DIFFERENCES:

The key to quality cold trap performance are: surface area, temperature and time.

**Time:** Most cold traps have very narrow inlets and outlets, slowing down your process. Not Cascade's MAXTRAP50 – with full KF25 inlet and outlet connections never reduce flow.



**Surface Area:** Most cold traps have a glass or smaller surface area to collect the matter your vacuum pump would otherwise ingest. Cascade's MAXTRAP50 surface area is a patent pending series of filter baffles inside the COLDWELL stainless trap.



**Temperature:** Cascade's MAXTRAP50 features the mechanically refrigerated system built in the USA by Thermo Scientific – A leader in laboratory equipment.



**ThermoFisher**  
SCIENTIFIC



## INCLUDES:

- Cascade's COLDWELL 304 Stainless Trap – Patent Pending Baffle System.
- 3 Quart Capacity (2839 mliters)
- Viton Gasket
- Thermo Scientific -50C Refrigerated Base
- Green CFC / HFC Free Refrigerants
- KF-25 Inlet/Outlet, Connection Line & Hardware
- Power Cord
- 3mm Neoprene Insulator Cap
- Requires 800ml (~ 3.5 cups) of a transfer fluid such as ethanol. Not Included. Cascade recommends: ethanol, glycol, cryo-cool fluids
- Quality Made in USA
- 1 Year Warranty

Made in USA



## WANT TO LEARN MORE?

503.847.9047  
info@cascalescience.com  
cascalescience.com  
©2017 Cascade Sciences Inc.

# MAXTRAP50 VACUUM COLD TRAP



## COLDWELL STAINLESS TRAP

KF25 Inlet & Outlet  
3 Quart Capacity (2839 mliters)  
Viton Gasket  
Neoprene Insulator Cap

## THERMO -50C MECHANICAL BASE

115V / 1ph / 4 AMP (60Hz)  
220V /1ph / 2 FLA (50Hz)  
Cord Included  
CFC / HCFC Free Refrigerants

## DIMENSIONS

inches 13.5"W x 23.5" D x 12.0" H  
cm 34.3 x 59.7 x 30.5

\*Requires 800ml (~ 3.5 cups) of transfer fluid  
(ethanol, glycol, cryo-cool fluids)

## CONNECTIONS

1 each 4' KF-25 flanged vacuum rated line  
1 each KF-25 Centering Ring  
1 each KF-25 Clamp

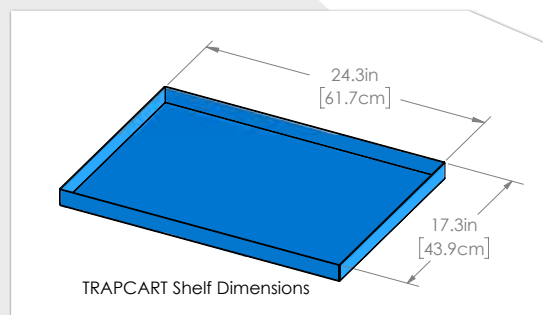
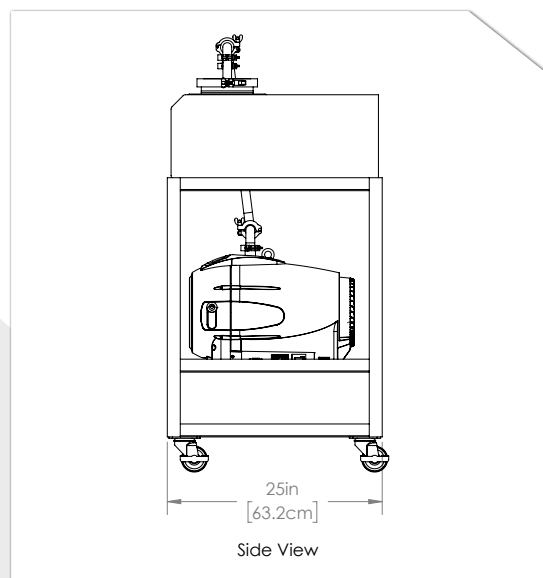
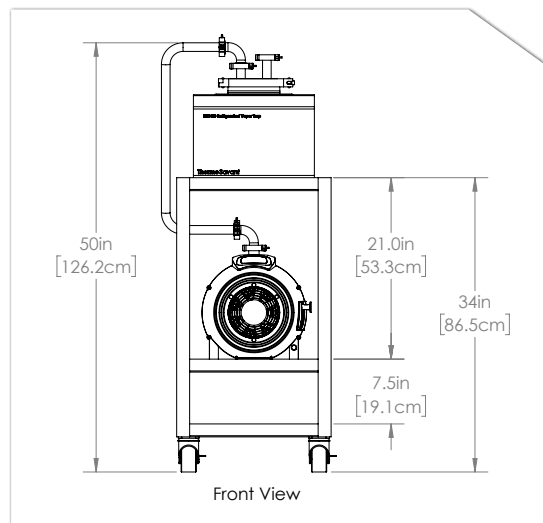
## WEIGHT

COLDWELL Stainless Trap: 14lbs  
Thermo Mechanical Base: 60lbs  
Shipping Weight: 95lbs

## OPTIONS

Mobile TRAPCART: Allows vacuum pump and trap to be mobile and sit beside vacuum oven station

Additional COLDWELL: Keep processing and cold trapping while defrosting/regenerating original COLDWELL



**WANT TO LEARN MORE?**

503.847.9047  
info@cascalescience.com  
cascalescience.com  
©2017 Cascade Sciences Inc.